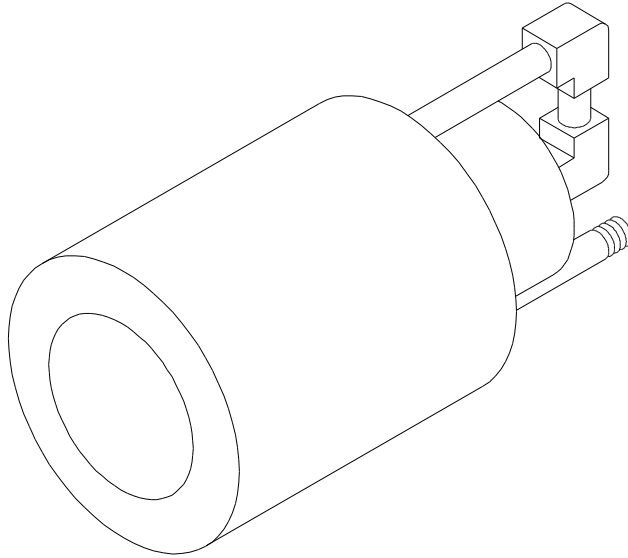


TK-40 Liquid Burner

Liquid propane sleeve style burners are used in many applications where a longer, straighter flame pattern is required. Typical installations include roofing & paving kettle tankers, asphalt reclamation*, ceramic kilns*, and special effects. The sleeve style burner incorporates an on-board, liquid vaporizing chamber. This allows you to fuel the burner directly with liquid L.P. Gas (liquid withdrawal propane). For horizontal firing only.

IMPORTANT - The use of liquid LP Gas requires the use of special system components and a hydro-static pressure relief valve. Please refer to NFPA-58 and your local municipal governing agency.



Specifications

BTU Rating	1,200,000 @ 25psi
Fuel	Liquid L.P. Gas (propane)
Fuel Connection	1/4" npt
Sleeve—Diameter	5"
Material	Mild Steel
Length	10-1/2"
Height	5"
Base	n/a
Weight	12 lbs
Color	Blue

- Fully welded construction
- Every unit is function tested
- Easy installation
- For horizontal firing only

* All high heat installations of the TK series burners require the use of the –SS (stainless steel) option.

GUARANTEE

ALL EQUIPMENT IS GUARANTEED TO BE FREE FROM DEFECT IN EITHER MATERIAL OR WORKMANSHIP. ALL EQUIPMENT IS GUARANTEED TO THE EXTENT OF OPERATING SPECIFICATIONS OF THE EQUIPMENT. NO CLAIM WILL BE ALLOWED FOR SUBSEQUENT DAMAGE CAUSED BY IMPROPER INSTALLATION, IMPROPER USE (MISUSE), NEGLIGENCE, OR IMPROPER FUEL AND/OR ELECTRICAL SUPPLY (IF APPLICABLE).

While this information is presented in good faith and believed to be accurate - Burners, Inc. does not guarantee satisfactory results from reliance upon such information. Nothing contained within this document is to be construed as a warranty or guarantee, expressed or implied, regarding the performance, merchantability, fitness or any other matter with respect to this product, nor as a recommendation to use this product in a specific application. Burners, Inc. reserves the right, without notice, to alter, or improve the designs or specifications of this product, described herein. Rev.: April, 2003