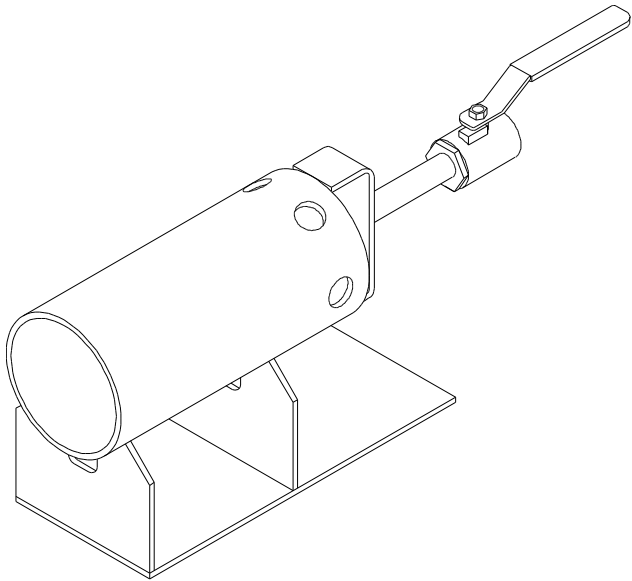


SK-1-SS Vapor Burner

The "SK" style burner is used in many applications where a longer, straighter flame pattern is required. Typical installations include ceramic kilns, raku kilns and asphalt reclamation systems. The "SK" style burner has extra primary air intake openings to allow for very low operating pressures (typical operating pressures are 3 psi—10 psi). This allows you to bring your heating temperature up very slowly.

NOTE - It is recommended that the SK-1-SS burner be ordered with the Standing Pilot / Safety Control System option.



Specifications

BTU Rating	450,000 @ 25psi
Fuel	Vapor L.P.Gas (propane)
Fuel Connection	9/16"-18 LH (ball seat)
Sleeve—Diameter	2-7/8"
Material	T-304 Stainless Steel
Length	14"
Height	5-1/2"
Base	3-1/2" x 8"
Weight	5 lbs
Color	Grey

- **Stainless steel burner**
- **Fully welded construction**
- **Every unit is function tested**
- **Shipped with HD brass valve**
- **Mounting hole in base**
- **Easy installation**
- **Designed for kiln firing**

GUARANTEE

ALL EQUIPMENT IS GUARANTEED TO BE FREE FROM DEFECT IN EITHER MATERIAL OR WORKMANSHIP. ALL EQUIPMENT IS GUARANTEED TO THE EXTENT OF OPERATING SPECIFICATIONS OF THE EQUIPMENT. NO CLAIM WILL BE ALLOWED FOR SUBSEQUENT DAMAGE CAUSED BY IMPROPER INSTALLATION, IMPROPER USE (MISUSE), NEGLIGENCE, OR IMPROPER FUEL AND/OR ELECTRICAL SUPPLY (IF APPLICABLE).

While this information is presented in good faith and believed to be accurate - Burners, Inc. does not guarantee satisfactory results from reliance upon such information. Nothing contained within this document is to be construed as a warranty or guarantee, expressed or implied, regarding the performance, merchantability, fitness or any other matter with respect to this product, nor as a recommendation to use this product in a specific application. Burners, Inc. reserves the right, without notice, to alter, or improve the designs or specifications of this product, described herein. Rev.: April, 2003