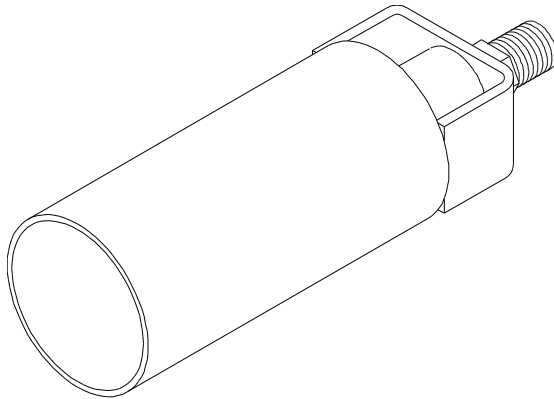


4901 McCarthy Dr • Milford • Michigan
PH: (248) 676-9141 • FAX: (248) 684-4475

PR-BURNER Vapor Burner

The PR-BURNER burner head is used in a wide variety of general purpose spot heating applications, including patchers, screeds, and feathering torches. A perfect burner head for OEM applications, or replacements and retro-fits.



Specifications

BTU Rating	120,000 @ 25 psi
Fuel	Vapor L.P.Gas (propane)
Fuel Connection	1/4" mpt
Torch Head—Diameter	1-7/8"
Material	Mild Steel
Length	6-1/8"
Weight	1 lbs
Color	Black

- **Fully welded construction**
- **Simple design**
- **Easy to install**
- **General purpose heating**

GUARANTEE

ALL EQUIPMENT IS GUARANTEED TO BE FREE FROM DEFECT IN EITHER MATERIAL OR WORKMANSHIP. ALL EQUIPMENT IS GUARANTEED TO THE EXTENT OF OPERATING SPECIFICATIONS OF THE EQUIPMENT. NO CLAIM WILL BE ALLOWED FOR SUBSEQUENT DAMAGE CAUSED BY IMPROPER INSTALLATION, IMPROPER USE (MISUSE), NEGLIGENCE, OR IMPROPER FUEL AND/OR ELECTRICAL SUPPLY (IF APPLICABLE).

While this information is presented in good faith and believed to be accurate - Burners, Inc. does not guarantee satisfactory results from reliance upon such information. Nothing contained within this document is to be construed as a warranty or guarantee, expressed or implied, regarding the performance, merchantability, fitness or any other matter with respect to this product, nor as a recommendation to use this product in a specific application. Burners, Inc. reserves the right, without notice, to alter, or improve the designs or specifications of this product, described herein. Rev.: April, 2003