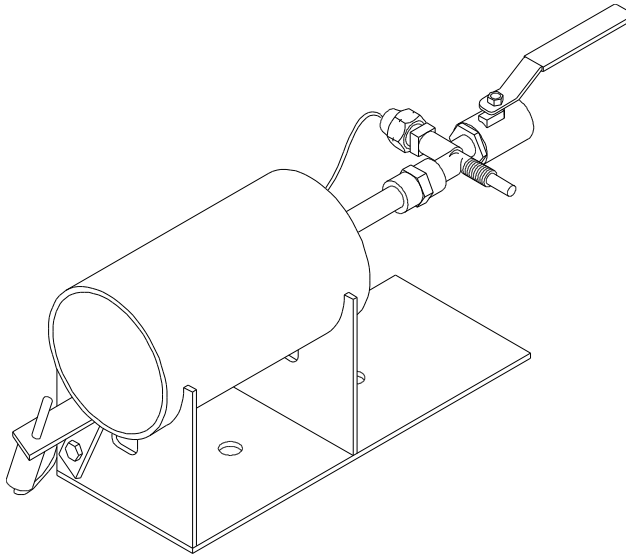


FV-61 Vapor Burner

Our FV series, vapor burners are used for general purpose heating applications where the system is constantly monitored for proper operation. With solid bases, permanently mounted, these burners are built solid and are economically priced. The FV-61 includes a 100% gas shut-off safety valve that uses a thermocouple for flame heat monitoring. The safety valve will shut-off gas flow if heat is lost (the loss of flame).

NOTE - These burners are also available in a stainless steel version. Simply add "SS" to the end of the part number (example: FV-61-SS = Standard FV-61 burner with stainless steel sleeve, for high temp. operation).



Specifications

BTU Rating	300,000 @ 25psi
Fuel	Vapor L.P.Gas (propane)
Fuel Connection	9/16"-18 LH (ball seat)
Sleeve—Diameter	3-1/2"
Gas Pipe—Material	1/4" Mild Steel Pipe
Length	14-1/2"
Height	5-7/8"
Base	4" x 10"
Weight	5 lbs
Color	Grey

- **Fully welded construction**
- **Every unit is function tested**
- **100% Safety shut-off valve**
- **Shipped with HD brass valve**
- **Mounting hole in base**
- **Easy installation**

GUARANTEE

ALL EQUIPMENT IS GUARANTEED TO BE FREE FROM DEFECT IN EITHER MATERIAL OR WORKMANSHIP. ALL EQUIPMENT IS GUARANTEED TO THE EXTENT OF OPERATING SPECIFICATIONS OF THE EQUIPMENT. NO CLAIM WILL BE ALLOWED FOR SUBSEQUENT DAMAGE CAUSED BY IMPROPER INSTALLATION, IMPROPER USE (MISUSE), NEGLIGENCE, OR IMPROPER FUEL AND/OR ELECTRICAL SUPPLY (IF APPLICABLE).

While this information is presented in good faith and believed to be accurate - Burners, Inc. does not guarantee satisfactory results from reliance upon such information. Nothing contained within this document is to be construed as a warranty or guarantee, expressed or implied, regarding the performance, merchantability, fitness or any other matter with respect to this product, nor as a recommendation to use this product in a specific application. Burners, Inc. reserves the right, without notice, to alter, or improve the designs or specifications of this product, described herein. Rev.: April, 2003