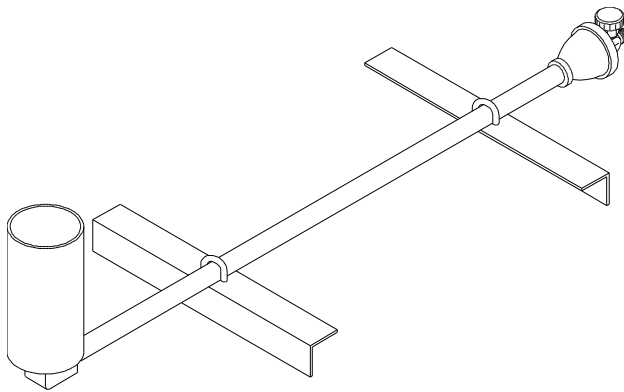


FV-12 Vapor Torch

The **FV-12** utility torch is a great, economical sources of portable heat. Used in a wide variety of spot heating applications such as boiling & cooking of water & food. Our exclusive valve-orifice assembly allows this torch to operate safely at tank pressure, eliminating the need for a pressure regulator and keeps your hands away from the heat source.

NOTE - It is recommended that this torch be used in a kit form **FV-12-K**.



Specifications

BTU Rating	600,000 btu
Fuel	Vapor L.P.Gas (propane)
Fuel Connection	9/16"-18 LH (ball seat)
Torch Head—Diameter	2-7/8"
Gas Tube—Material	1/2" Mild Steel Pipe
Length	41"
Height	9"
Weight	10 lbs
Color	Black

FV-12-K : For a complete kit (FV-12 Torch, 10 foot Hose, Tank Connector & Flint Striker)

- **Simple design**
- **Every unit is function tested**
- **Shipped with HD brass valve**
- **Adjustable support legs**
- **Easy to use**

GUARANTEE

ALL EQUIPMENT IS GUARANTEED TO BE FREE FROM DEFECT IN EITHER MATERIAL OR WORKMANSHIP. ALL EQUIPMENT IS GUARANTEED TO THE EXTENT OF OPERATING SPECIFICATIONS OF THE EQUIPMENT. NO CLAIM WILL BE ALLOWED FOR SUBSEQUENT DAMAGE CAUSED BY IMPROPER INSTALLATION, IMPROPER USE (MISUSE), NEGLIGENCE, OR IMPROPER FUEL AND/OR ELECTRICAL SUPPLY (IF APPLICABLE).

While this information is presented in good faith and believed to be accurate - Burners, Inc. does not guarantee satisfactory results from reliance upon such information. Nothing contained within this document is to be construed as a warranty or guarantee, expressed or implied, regarding the performance, merchantability, fitness or any other matter with respect to this product, nor as a recommendation to use this product in a specific application. Burners, Inc. reserves the right, without notice, to alter, or improve the designs or specifications of this product, described herein. Rev.: April, 2003