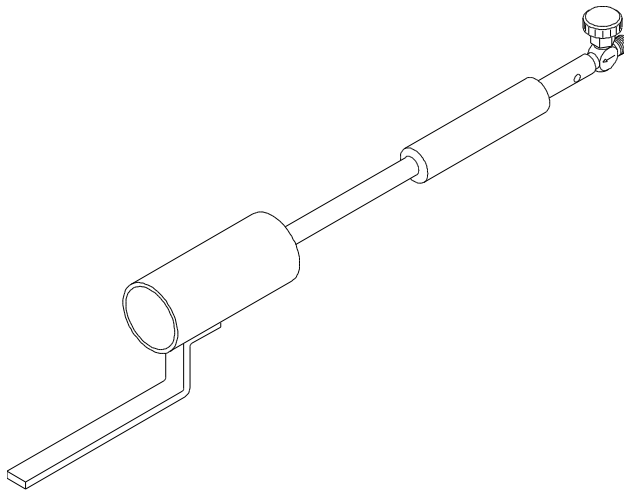


FV-11-S Vapor Torch

The **FV-11-S** utility torch is designed for use in small portable asphalt and roofing kettles. The steel torch head bracket is used to support the torch as it is aimed into the firing chamber of the kettle. The FV-11-S torch can also be used to spot heat your work area before it is repaired.

NOTE - It is recommended that this torch be used in a kit form **FV-11-S-K**.



Specifications	
BTU Rating	150,000 @ 25 psi
Fuel	Vapor L.P.Gas (propane)
Fuel Connection	9/16"-18 LH (ball seat)
Torch Head—Diameter	2-3/8"
Gas Tube—Material	3/8" Mild Steel Pipe
Length	25"
Weight	4 lbs
Color	Grey

FV-11-S-K : For a complete kit (FV-11-S Torch, 10 foot Hose, Tank Pressure Regulator & Flint Striker)

- **Fully welded construction**
- **Simple design**
- **Built-In support bracket**
- **Every unit is function tested**
- **Shipped with HD brass valve**
- **Single hand use**
- **Easy to use**

GUARANTEE

ALL EQUIPMENT IS GUARANTEED TO BE FREE FROM DEFECT IN EITHER MATERIAL OR WORKMANSHIP. ALL EQUIPMENT IS GUARANTEED TO THE EXTENT OF OPERATING SPECIFICATIONS OF THE EQUIPMENT. NO CLAIM WILL BE ALLOWED FOR SUBSEQUENT DAMAGE CAUSED BY IMPROPER INSTALLATION, IMPROPER USE (MISUSE), NEGLIGENCE, OR IMPROPER FUEL AND/OR ELECTRICAL SUPPLY (IF APPLICABLE).

While this information is presented in good faith and believed to be accurate - Burners, Inc. does not guarantee satisfactory results from reliance upon such information. Nothing contained within this document is to be construed as a warranty or guarantee, expressed or implied, regarding the performance, merchantability, fitness or any other matter with respect to this product, nor as a recommendation to use this product in a specific application. Burners, Inc. reserves the right, without notice, to alter, or improve the designs or specifications of this product, described herein. Rev.: April, 2003