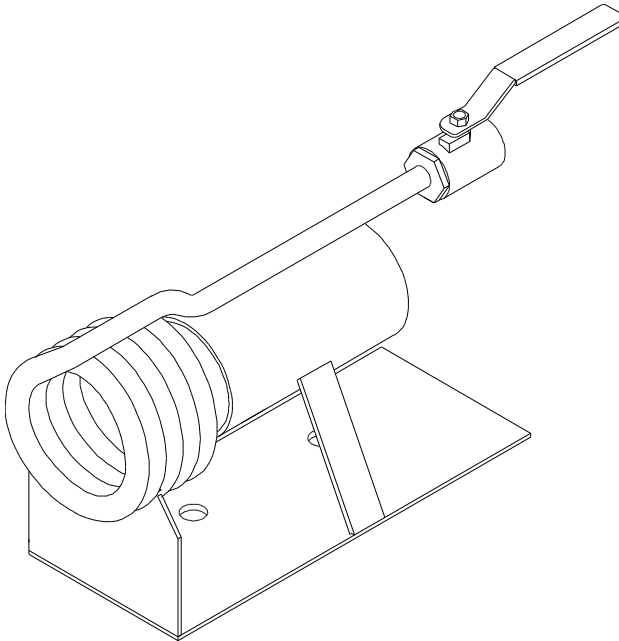


## FL-9 Liquid Burner

Liquid propane coil style burners are used in many applications like roofing & paving kettles, agricultural weed flaming, welding & process heating, commercial cooking, and special effects. The coil style burner incorporates an on-board, liquid vaporizer. This allows you to fuel the burner directly with liquid L.P. Gas (liquid withdrawal propane).

**IMPORTANT - The use of liquid LP Gas requires the use of special system components and a hydro-static pressure relief valve. Please refer to NFPA-58 and your local municipal governing agency.**



<b>Specifications</b>	
BTU Rating	100,000 @ 25psi
Fuel	Liquid L.P.Gas (propane)
Fuel Connection	9/16"-18 LH (ball seat)
Coil—Diameter	2-1/4"
Coil—Material	1/8" Mild Steel Pipe
Length	11"
Height	5"
Base	3-1/2" x 8"
Weight	5 lbs
Color	Blue

- **Fully welded construction**
- **Every unit is function tested**
- **Shipped with HD brass valve**
- **Include adjustable air shutters**
- **Mounting hole in base**
- **Easy installation**

### **GUARANTEE**

ALL EQUIPMENT IS GUARANTEED TO BE FREE FROM DEFECT IN EITHER MATERIAL OR WORKMANSHIP. ALL EQUIPMENT IS GUARANTEED TO THE EXTENT OF OPERATING SPECIFICATIONS OF THE EQUIPMENT. NO CLAIM WILL BE ALLOWED FOR SUBSEQUENT DAMAGE CAUSED BY IMPROPER INSTALLATION, IMPROPER USE (MISUSE), NEGLIGENCE, OR IMPROPER FUEL AND/OR ELECTRICAL SUPPLY (IF APPLICABLE).

While this information is presented in good faith and believed to be accurate - Burners, Inc. does not guarantee satisfactory results from reliance upon such information. Nothing contained within this document is to be construed as a warranty or guarantee, expressed or implied, regarding the performance, merchantability, fitness or any other matter with respect to this product, nor as a recommendation to use this product in a specific application. Burners, Inc. reserves the right, without notice, to alter, or improve the designs or specifications of this product, described herein. Rev.: April, 2003