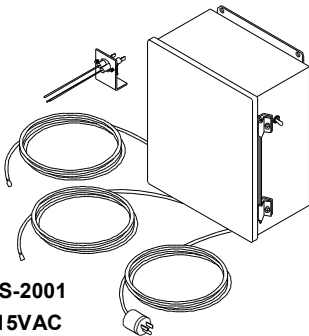


ISS-4000
12VDC



ISS-2001
115VAC

Automatic Ignition & Safety Control Systems

Our "ISS" series, Automatic Ignition & Flame Monitoring Control Packages use the Fenwal solid-state ignition control module for reliable flame management. Optional temperature control is available:

- Oil filled capillary & bulb configuration for 50 - 500°F temperature range (5 foot capillary max.)
- Digital Control for 32 - 1472°F temperature range (10 foot lead length std. - longer leads are optional)

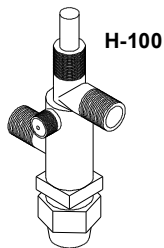
Built in NEMA-12 enclosures, these control packages are designed for tough environments (32-130°F) and comply with UL and CSA standards

All cable lead lengths are 6 feet, and come complete with universal ignitor & flame rod assemblies that require simple bending to adapt to your installation.

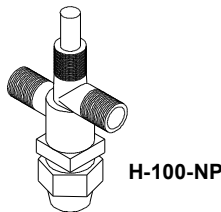
Features:

- Direct spark ignition & flame rectification monitoring
- High temperature wiring and protective sleeving
- Pre-assembled wiring harnesses with quick connect ends
- Simple installation and easy configuration

M/N	BURNER CTRL	ELEC.	TEMP. CTRL	SOLENOID
ISS-2000	Single	12 VDC	-none-	(1) 1/4" npt (500,000 btu @ 25 psi)
ISS-2000-T	Single	12 VDC	50-500°F (dial)	(1) 1/4" npt (500,000 btu @ 25 psi)
ISS-2000-DT	Single	12 VDC	32-1472°F (elec)	(1) 1/4" npt (500,000 btu @ 25 psi)
ISS-4000	Dual	12 VDC	-none-	(2) 1/4" npt (500,000 btu @ 25 psi)
ISS-4000-T	Dual	12 VDC	50-500°F (dial)	(2) 1/4" npt (500,000 btu @ 25 psi)
ISS-4000-DT	Dual	12 VDC	32-1472°F (elec)	(2) 1/4" npt (500,000 btu @ 25 psi)
ISS-2001	Single	115VAC	-none-	- sold separately -
ISS-2001-T	Single	115VAC	50-500°F (dial)	- sold separately -
ISS-2001-DT	Single	115VAC	32-1472°F (elec)	- sold separately -
ISS-4001	Dual	115VAC	-none-	- sold separately -
ISS-4001-T	Dual	115VAC	50-500°F (dial)	- sold separately -
ISS-4001-DT	Dual	115VAC	32-1472°F (elec)	- sold separately -



H-100

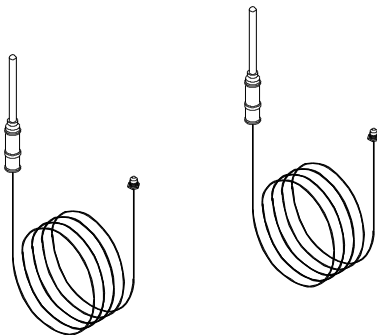


H-100-NP

Safety Control Valves

The "H" series solid brass, safety control valves are for VAPOR PROPANE service only. Similar in design use to the Johnson/Penn Baso "H19" series safety valves, these controls use standard commercial thermocouples for positive flame & heat detection. (maximum pressure is 25 psi)

P/N	M/N	FLOW & PRESSURE	FITTING SIZE (in x out)	REF.
214240	H-100	500,000 btu @ 25 psi	1/4" mpt x 1/4" mpt (1/8" mpt pilot)	H19NA-4
214225	H-100-NP	500,000 btu @ 25 psi	1/4" mpt x 1/4" mpt	H19TA-3

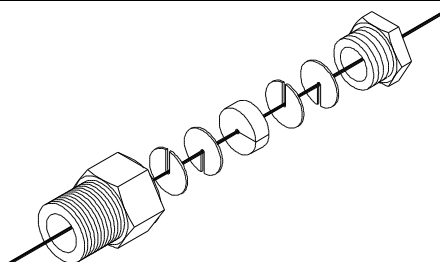


Thermocouples - Commercial Grade

Burners, Inc. uses commercial grade thermocouples for all of our manual safety burner system.

Johnson / Penn-Baso K15 and K16 series. (custom lengths are available)

P/N	M/N	LENGTH	MV RANGE
216118	K15DS-18	18"	20 - 28 mV
216124	K15DS-24	24"	20 - 28 mV
216136	K15DS-36	36"	20 - 28 mV
216148	K15WS-48	48"	30 - 35 mV
216160	K16BA-60	60"	25 - 35 mV
216172	K16WT-72	72"	25 - 35 mV



Packing Nut

This packing nut is used to allow a capillary tube or thermocouple wire to be safely routed into a thermowell and minimize the loss of high temp. oil.

Using an all brass design with a high temperature, silicone gasket, this packing nut assembly is the best choice for sealing thermowells

P/N	M/N	THREAD SIZE	GASKET	CAP. DIA.	Max Temp
307515	F055-0088	1/2" mpt	Silicone	0.080"	500°F