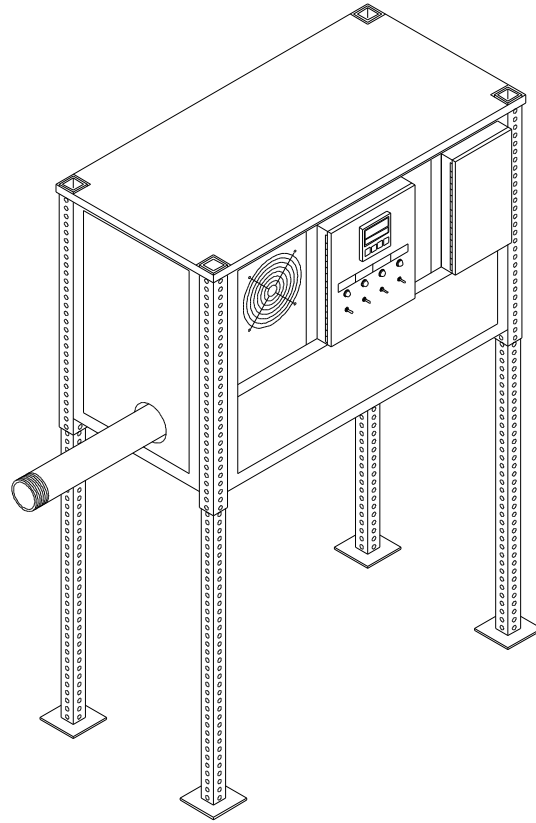


Portable Hot Gas Generator - Standard Output

Model HG-300	
BTU Output	300,000 btu
Hot Gas Discharge	3½" OD
Fuel Type	LPG or Nat.
Fuel Delivery Pressure	20 psig
Electrical - Voltage	460-480 VAC
Electrical - Power (no blower)	7 amps
Weight	360 lbs.

Model HG-500	
BTU Output	500,000 btu
Hot Gas Discharge	4" OD
Fuel Type	LPG or Nat.
Fuel Delivery Pressure	20 psig
Electrical - Voltage	460-480 VAC
Electrical - Power (no blower)	7 amps
Weight	365 lbs.



The HG series, standard output Test Furnaces are designed for use on component and small exhaust system hot gas testing. They are self contained, compact and portable. The only requirements are electricity and fuel.

The HG furnaces are fully adjustable !!!

Adjust the discharge height using telescopic & locking legs. Air flow and discharge temperature are controlled using solid-state PID controllers. Fine tune the temperature window using adjustable fuel pressure regulators.

On-board air flow control uses closed-loop control for accurate inlet air volume. Simply set your desired air flow rate and let the controller do the rest.

Using your remote mounted thermocouple, enables you to accurately control the desired temperature of your test. With an optional temperature profile controller, you can automate your heating requirements for a predetermined number of cycles.

We also have High-Output models available up to 2.0 mil btu/h output. Our optional blower selection includes flow rates up to 600 scfm and pressure capabilities up to 20 psi.

Contact our technical support department for detailed information on all of our Portable Hot Gas Generators.