

Squeeze Trigger  
Cushion Grip  
Light Weight  
Simple to Use

### Squeeze Trigger Hand Torch - Standard

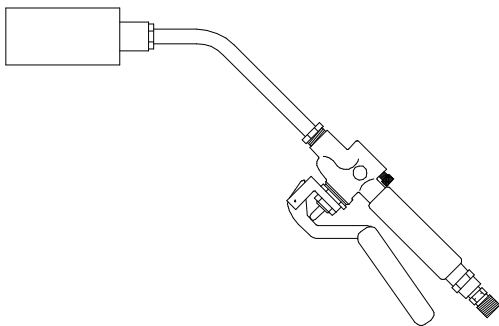
Primarily designed for the roofing & paving industries, the FV-15 hand torch is built tough and easy to use. With an adjustable standing pilot flame, the FV-15 torch is always ready to go, just squeeze the trigger, and a full force flame is released towards your work area.

The FV-15 torch has been used for other applications as well, like shrink wrapping, industrial processing, floor & road drying.

Complete with:

- FV-15 torch assembly
- Adjustable propane gas regulator
- 25 feet of propane gas hose
- Striker, stand & instruction manual

M/N	BTU RATING	PRES.	DIA.	LGTH	TORCH WT.
FV-15-K	520,000 btu/h	55 psi	2"	32"	2.4 lbs.



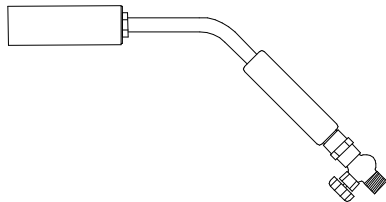
### Squeeze Trigger Hand Torch - Short

The FV-16 is a shorter version of our standard squeeze trigger torch and has all the same features & benefits with reduced BTU output.

Complete with:

- FV-16 torch assembly
- Adjustable propane gas regulator
- 25 feet of propane gas hose
- Striker, stand & instruction manual

M/N	BTU RATING	PRES.	DIA.	LGTH	TORCH WT.
FV-16-K	420,000 btu/h	55 psi	2"	24"	2.3 lbs.



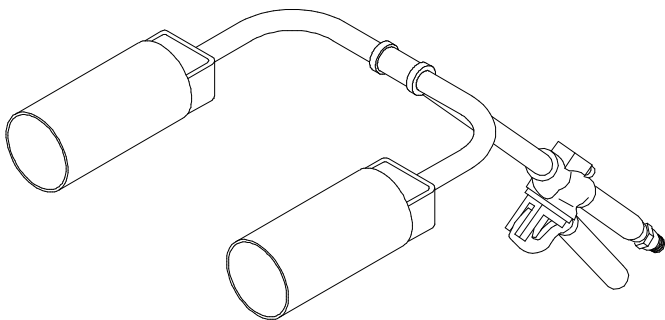
### Detail Hand Torch

When you only have a small heating job, the FV-1 Hand Torch is the perfect choice. Small enough for the hard to reach areas, but hot enough to solder. Choose the FV-1-K for your next project.

Complete with:

- FV-1 torch assembly
- Adjustable propane gas regulator
- 10 feet of propane gas hose, striker, stand & instruction manual

M/N	BTU RATING	PRES.	DIA.	LGTH	TORCH WT.
FV-1-K	14,000 btu/h	30 psi	1.2"	15"	1.4 lbs.



Twin Head - Double Power

### Twin Head, Squeeze Trigger Torch

Designed for professional roofers, the FV-17 Twin Head Torch is like having a blast furnace in your hands. It also works great for spot drying.

With the standing, adjustable pilot flame and squeeze trigger, The FV-17 Torch will give you instant performance, tough enough for every job.

\* For best torch performance, we strongly recommend using this torch with multiple tank installations. Please consult your LP Gas dealer for details.

Complete with:

- FV-17 torch assembly
- Adjustable propane gas regulator
- 25 feet of propane gas hose
- Striker, stand & instruction manual

M/N	BTU RATING	PRES.	DIA.	LGTH	TORCH WT.
FV-17-K	800,000 btu/h	55 psi	(x2) 2"	32"	3.2 lbs.