

Vapor Propane Utility Torches - Tank Pressure

Burners, Inc. utility torches are built tough, with all welded and steel construction. All of our torches are ideal for weed burning, asphalt feathering, stump burning, spot drying, heating & thawing, as well as many other commercial and agricultural uses.

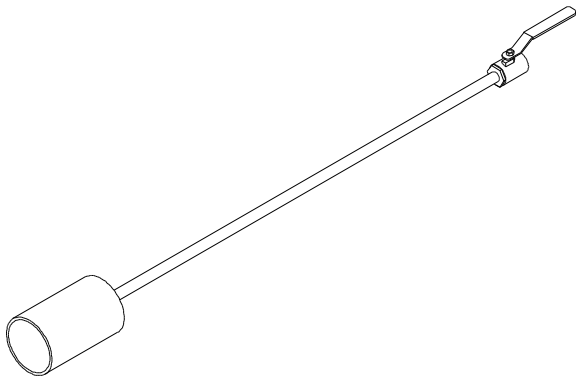
With the ability to operate on tank pressure, these torches are designed for simple convenience. Complete with tank connectors, 10 feet of LPG hose and striker, all you need is a propane tank and you're ready to go.

M/N	BTU RATING	PRES.	DIA.	LGTH	HOSE	TORCH WT.
Contractor Grade - Heavy Duty - High Output						
FV-10-K	600,000 btu/h	tank	3"	36"	10 ft	4.8 lbs.
Commercial Grade - Built Tough with a cushion grip						
FV-11-K	400,000 btu/h	tank	3"	32"	10 ft	3.0 lbs.
Utility Grade - Compact with a cushion grip						
FV-5-K	300,000 btu/h	tank	1-7/8"	32"	10 ft"	3.0 lbs.
Utility Grade - Economical & Efficient						
FV-200	200,000 btu/h	tank	1-7/8"	32"	10 ft"	2.8 lbs.

All kits include:

- LP Gas (propane) Torch
- 1/4" x 10 foot UL Listed LPG Hose
- Tank Connector (POL style) - Fits most tanks
- Flint Striker
- Instruction Manual

* - Some torches may also be purchased individually, without hose & connectors.

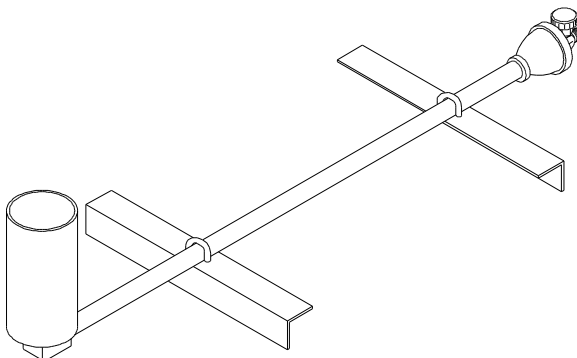


Vapor Propane Utility Torches - Standard

These utility torches are great, economical sources of portable heat. Used for a wide variety of spot heating such as weed burning, pre-heating, thawing, stump burning & melting.

A gas pressure regulator is required for proper operation.

M/N	BTU RATING	PRES.	DIA.	LGTH	TORCH WT.
FV-20	200,000 btu/h	30 psi	2-3/4"	30"	2.0 lbs.
FV-21	200,000 btu/h	30 psi	2-3/4"	42"	2.5 lbs.
FV-30	300,000 btu/h	30 psi	3-1/2"	32"	3.0 lbs.
FV-31	300,000 btu/h	30 psi	3-1/2"	44"	3.5 lbs.
FV-50	500,000 btu/h	30 psi	4-1/2"	51"	6.5 lbs.



Vapor Propane Utility Torch/Burner

The FV-12-K Torch / Burner Kit is ideal for boiling and cooking large quantities of water & food.

With less than 9" of vertical height, the FV-12 is designed to slide under most outdoor cooking equipment.

Our remote valve keeps your hands away from the heat when adjusting the flame height or intensity.

The FV-12-K can be used with or without a pressure regulator.

Complete with Torch/Burner, (2) adjustable mounting stands, 10 feet of hose, LP Gas propane tank connector and a flint striker.

M/N	BTU RATING	PRES.	DIA.	LGTH	HEIGHT	WEIGHT
FV-12-K	500,000 btu/h	Tank	3"	41"	9"	10 lbs.